

# Figures 929, 929L, 929H Short Body Sewage/Wastewater Air Release Valve

## Description

GA Industries Figures 929, 929L and 929H short body air release valves automatically and efficiently release air and gas that have collected in the valve while under pressure and operational. Typically installed at high points where air and gas naturally collect, the valve opens when sufficient air and gas has accumulated in the valve and closes tightly after the air has been released.

Short body sewage air release valves are ideal in shallow cover installations that preclude the standard elongated body.

The valves are available with many options and accessories including “back flush attachments” to facilitate cleaning sludge and debris from the valve.

## Product Features

- Short body ideal for “shallow cover” installations
- Compound lever design allows larger venting orifice and higher venting rate
- Corrosion resistant Type 316 stainless steel float and internal mechanism
- Tight sealing and easily replaceable rubber seat
- 2” NPT plugged port to facilitate removal of large debris

## Standard Materials

- Body & Cover Cast Iron, ASTM A126 Class B
- Float Stainless Steel, Type 316
- Internal Linkage Stainless Steel, Type 316
- Replaceable Seat Buna-N
- External Fasteners Steel, A307, Zinc Plated
- Coating Internal and External NSF-61 Certified Epoxy

See Data Sheet 929SS.01 for Durovent™ all 316SS construction version

Non-Shock Working Water Pressure at up to 150F (66C)			
Figure Nos.	929L, 929LF	929, 929F	929H, 929HF
Connections	NPT	NPT	NPT
Inlet Size	2" or 3"	2" or 3"	2" or 3"
Outlet Size	½"	½"	½"
Orifice Diameter	0.313"	0.188"	0.125"
Working Pressure	10-75 PSI	10-150 PSI	10 – 300 PSI
Pressure Rating	200 PSI	200 PSI	300 PSI
Hydro Test	300 PSI	300 PSI	450 PSI
Weight	40 lbs.	40 lbs.	40 lbs.



Shown with optional backflush attachments (hose not shown)

## Approvals & Certifications

- Complies with AWWA Standard C512
- NSF-61 Certified for Contact with Drinking Water
- NSF-372 Certified Lead Free (Max 0.25% Lead Content by Weighted Average)

## Options/Accessories

- Option BA Buy America/Build America (BABA) and American Iron and Steel (AIS) Compliant
- Option FA: Backflush Attachments – inlet isolating, ½” flushing & 1” blow off bronze ball valves, quick connect couplings and 5 ft. rubber hose
- Option IV Inlet Isolating Valve – lever operated bronze ball valve (included with backflush attachments)
- Option SE 316 stainless steel external fasteners
- Option US American Iron and Steel (AIS) Compliant
- Option VC: Vacuum Check – prevents air re-entry if internal pressure falls below atmospheric

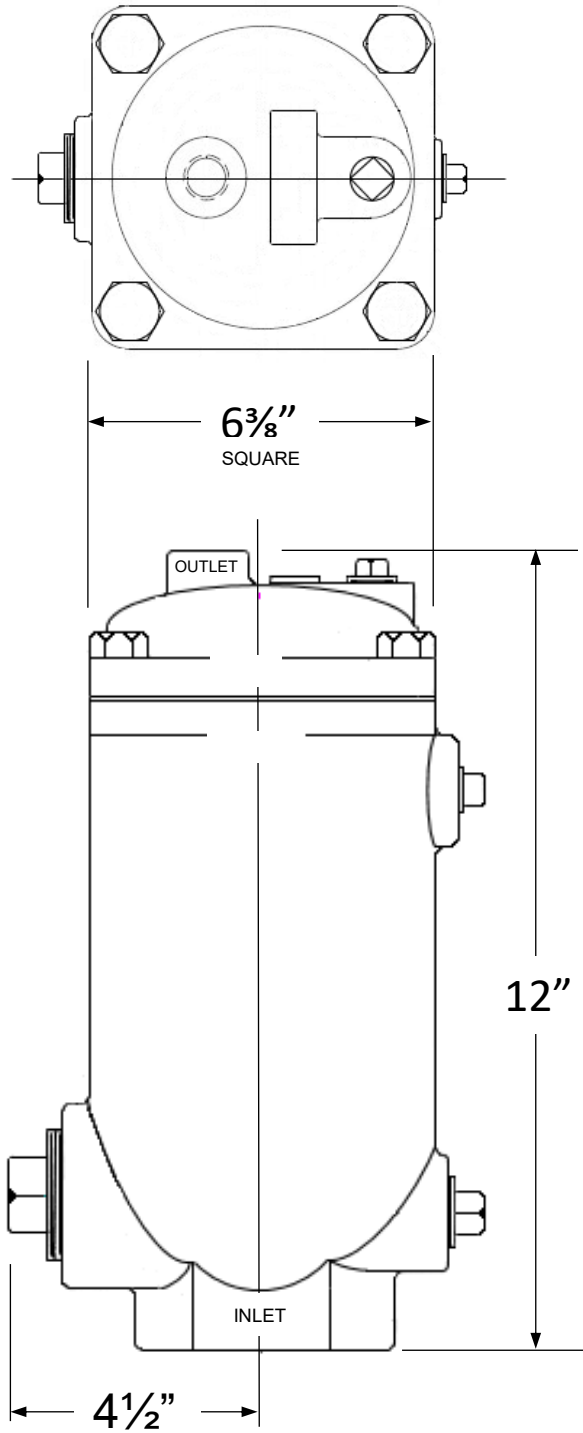
## Ordering Data

- Figure Number
- Size
- Options/Accessories

# Figures 929, 929L, 929H Short Body Sewage/Wastewater Air Release Valve

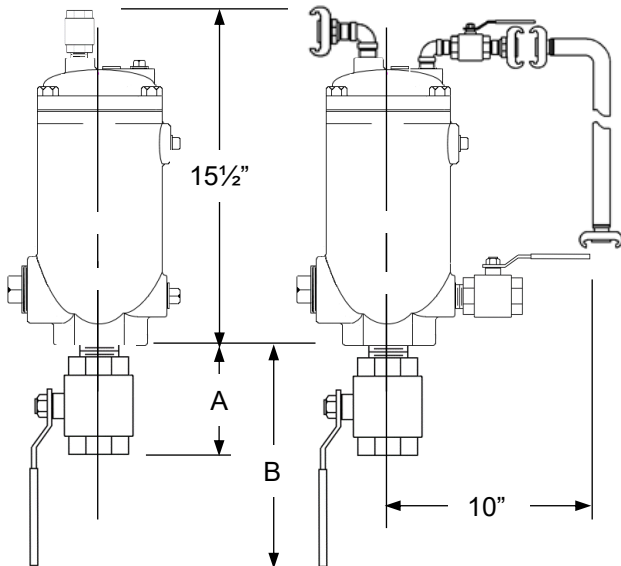
Data Sheet 929.01D

Pressure At Valve Inlet	Air Venting Rate, Standard Cubic Feet/Min (SCFM)		
	Figure 929L	Figure 929	Figure 929H
10 PSI	24.3	8.7	3.9
15 PSI	29.4	10.6	4.7
25 PSI	39.3	14.1	6.3
50 PSI	64.0	23.1	10.3
75 PSI	88.8	32.0	14.2
100 PSI		40.9	18.2
150 PSI		58.7	26.1
200 PSI			34.0
250 PSI			41.9
300 PSI			49.8



VACUUM CHECK and/or  
INLET ISOLATING  
BALL VALVE

Figures 929F and 929LF  
With BACKFLUSH  
ATTACHMENTS



CONNECTION SIZE	2"	3"
A	5"	8"
B	8"	5"
Add for Vacuum Check	1 lb.	1 lb.
Add for Inlet Ball Valve	2 lbs.	8 lbs.
Add for Backflush Attachments	15 lbs.	21 lbs.

All dimensions and weights are approximate. If critical request certified drawings