

# Figures 929SS, 929SSF, 929SSL, 929SSLF Durovent® Short Body Sewage/Wastewater Air Release Valve

## Description

GA Industries Figures 929SS and 929SSL short body air release valves automatically and efficiently release air and sewage gas that have collected in the valve while under pressure and operational. Typically installed at high points where air and sewage gas naturally collect, the valve opens when sufficient air and sewage gas have accumulated in the valve and closes tightly after the air has been released.

Whether due to the fluid itself or ambient conditions, Durovent® Wastewater Air Release Valves provide the ultimate in corrosion resistance since the body, cover, float, internal linkage, external fasteners and pipe plugs are all made from Type 316 stainless steel. Short body Durovent® sewage air release valves are ideal in shallow cover installations that preclude the standard elongated body.

Figures 929SSF and 929SSLF include optional "back flushing attachments" to facilitate cleaning sludge and debris from the valve



## Product Features

- Rugged cast 316 stainless steel short body ideal for "shallow cover" installations
- Compound lever design allows larger venting orifice and higher venting rate
- Corrosion resistant Type 316 stainless steel float and internal mechanism - no plastic components
- Tight sealing and easily replaceable rubber seat
- 2" NPT plugged port to facilitate removal of large debris

## Standard Materials

- Body & Cover      Stainless Steel, Type 316
- Float                Stainless Steel, Type 316
- Internal Linkage   Stainless Steel, Type 316
- Replaceable Seat   Buna-N
- External Fasteners Stainless Steel, Type 316
- Pipe Plugs          Stainless Steel, Type 316

## Approvals & Certifications

- Complies with AWWA Standard C512
- NSF-61 Certified for Contact with Drinking Water
- NSF-372 Certified Lead Free (Max 0.25% Lead Content by Weighted Average)

## Options/Accessories

- Option VC:        Vacuum Check – prevents air re-entry if internal pressure falls below atmospheric
- Option IV         Inlet Isolating Valve – lever operated bronze ball valve (included with backflush attachments)

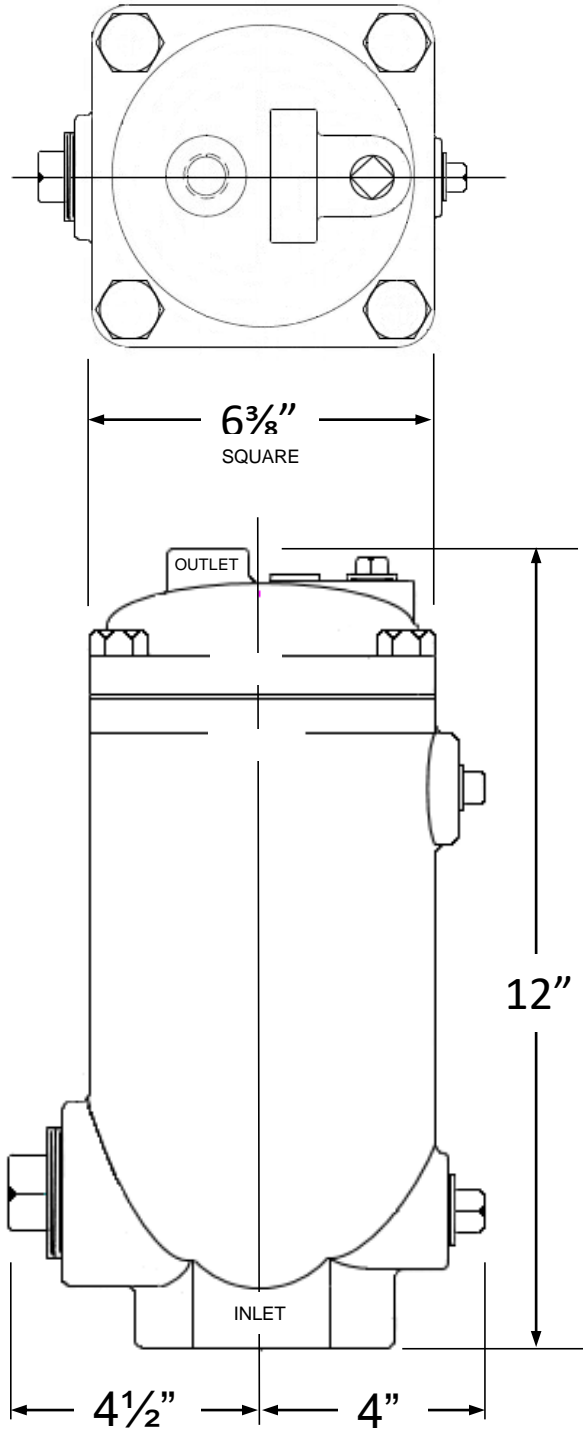
## Ordering Data

- Figure Number (929SS, 929SSF, 929SSL or 929SSLF)
- Size
- Options/Accessories

Non-Shock Working Water Pressure at up to 150F (66C)		
Figure Nos.	929SSL, 929SSLF	929SS, 929SSF
Connections	NPT	NPT
Inlet Size	2" or 3"	2" or 3"
Outlet Size	1/2"	1/2"
Orifice Diameter	0.313"	0.188"
Working Pressure	10-75 PSI	10-150 PSI
Pressure Rating	200 PSI	200 PSI
Hydro Test	300 PSI	300 PSI
Weight	40 lbs.	40 lbs.

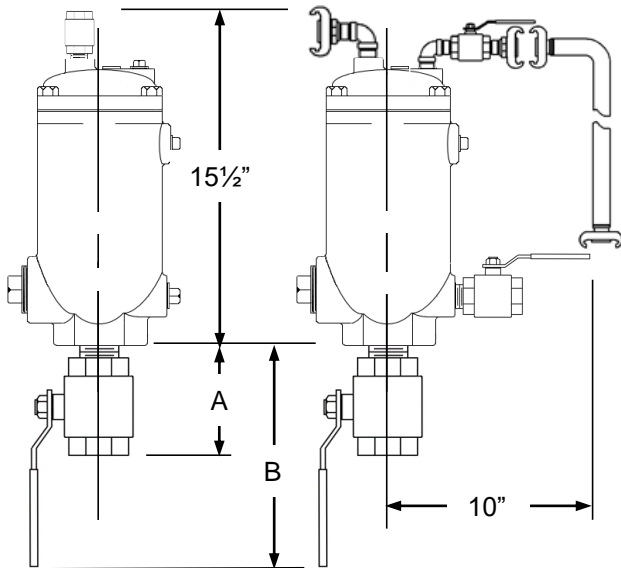
Data Sheet 929SS.01B

Pressure At Valve Inlet	Air Venting Rate, Standard Cubic Feet/Min (SCFM)	
	Figure 929SSL	Figure 929SS
10 PSI	24.3	8.7
15 PSI	29.4	10.6
25 PSI	39.3	14.1
50 PSI	64.0	23.1
75 PSI	88.8	32.0
100 PSI		40.9
150 PSI		58.7



VACUUM CHECK and/or INLET ISOLATING BALL VALVE

Figures 929SSF and 929SSLF With BACKFLUSH ATTACHMENTS



CONNECTION SIZE	2"	3"
A	5"	8"
B	8"	5"
Add for Vacuum Check	1 lb.	1 lb.
Add for Inlet Ball Valve	2 lbs.	8 lbs.
Add for Backflush Attachments	15 lbs.	21 lbs.

All dimensions and weights are approximate. If critical request certified drawings