

Figures 939SS, 939SSF Durovent® All 316 Stainless Steel Short Body Sewage/Wastewater Air Vacuum Valve

Description

GA Industries Figure 939SS Air & Vacuum Valves efficiently vent air and sewage gas from sewage forcemains as they are being filled and then close tight once the system is full and pressurized. They automatically open to admit air to limit vacuum formation when the forcemain is drained and/or a negative pressure occurs in the valve.

Whether due to the fluid itself or ambient conditions, Durovent® Wastewater Air Release Valves provide the ultimate in corrosion resistance since the body, cover, float, internal linkage, external fasteners and pipe plugs are all made from Type 316 stainless steel.

Figure 939SS Air & Vacuum Valves are typically installed at system high points where air and sewage gas naturally rise during filling and vacuum first forms during draining. The valve's short body allows it to be used in shallow cover installations where a standard elongated body would be too tall.

Figure 939SSF includes optional "back flushing attachments" to facilitate cleaning sludge and debris from the valve



Product Features

- Short body ideal for "shallow cover" installations
- Full size orifice for maximum air outflow and inflow rates
- Rugged, heavy duty cast 316 stainless steel body - no potential for weld corrosion
- Corrosion resistant Type 316 stainless steel float, plug, seat ring and internal mechanism - no plastic components
- Tight sealing and easily replaceable rubber seat
- 2" NPT plugged port allows removal of large debris

Standard Materials

- Body & Cover Stainless Steel, Type 316
- Float Stainless Steel, Type 316
- Internal Linkage Stainless Steel, Type 316
- Replaceable Seat Buna-N
- External Fasteners Stainless Steel, Type 316
- Pipe Plugs Stainless Steel, Type 316

Approvals & Certifications

- Complies with AWWA Standard C512

Options/Accessories

- Option IV Inlet Isolating Valve – lever operated bronze ball valve (included with backflush attachments)

Ordering Data

- Figure Number (939SS, 939SSF)
- Size (Inlet x Outlet)
- Options/Accessories

| Non-Shock Working Water Pressure at up to 150F (66C) | | | | | | |
|--|------------------|--------|---------|--|--------|---------|
| Figure Numbers | 939SS Valve Only | | | 939SSF Valve and Backflush Attachments | | |
| Size | 2 x 1* | 2 | 3 x 2** | 2 x 1* | 2 | 3 x 2** |
| Inlet | 2" NPT | 2" NPT | 3" NPT | 2" NPT | 2" NPT | 3" NPT |
| Outlet | 1" NPT | 2" NPT | 2" NPT | 1" NPT | 2" NPT | 2" NPT |
| Working Pressure | 10-200 PSI | | | 10-200 PSI | | |
| Pressure Rating | 200 PSI | | | 200 PSI | | |
| Hydro Test | 300 PSI | | | 300 PSI | | |

* 1" Valve with 2" Inlet Connection ** 2" Valve with 3" Inlet Connection

Data Sheet 939SS.01D

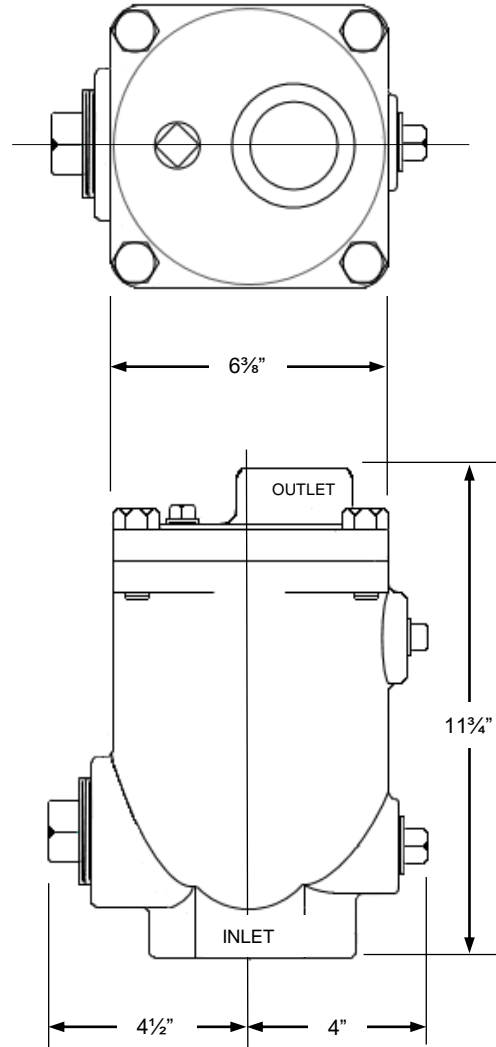
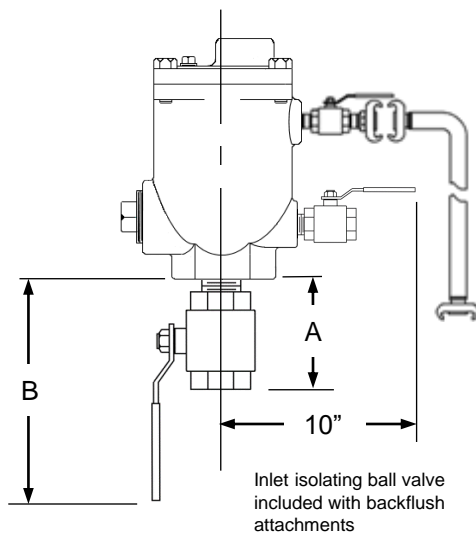
| Pressure at Valve Inlet | Air Outflow Rate Standard Cubic Feet/Min (SCFM) | | |
|-------------------------|--|---------|---------|
| | 2" x 1" | 2" x 2" | 3" x 2" |
| 1 PSI | 78 | 279 | 279 |
| 2 PSI | 114 | 407 | 407 |
| 3 PSI | 144 | 513 | 513 |
| 4 PSI | 171 | 609 | 609 |
| 5 PSI | 196 | 699 | 699 |

Value is rate at which air is vented from pipeline/system during filling at valve inlet pressures shown. Inlet pressure during filling should not exceed 2 PSI. Size is inlet x outlet.

| Pressure at Valve Inlet | Air Inflow Rate Standard Cubic Feet/Min (SCFM) | | |
|-------------------------|---|---------|---------|
| | 2" x 1" | 2" x 2" | 3" x 2" |
| -1 PSIG | 79 | 318 | 318 |
| -2 PSIG | 112 | 451 | 451 |
| -3 PSIG | 138 | 552 | 552 |
| -4 PSIG | 159 | 637 | 637 |
| -5 PSIG | 178 | 713 | 713 |

Value is rate at which air is drawn into the valve at negative pipeline/system pressure shown. Size is inlet x outlet.

With INLET ISOLATING VALVE or BACKFLUSH ATTACHMENTS



| INLET CONNECTION SIZE | 2" | 3" |
|------------------------------------|---------|---------|
| A | 5" | 8" |
| B | 8" | 13" |
| Valve Weight | 40 lb. | 40 lb. |
| Add for Inlet Isolating Ball Valve | 2 lbs. | 20 lbs. |
| Add for Backflush Attachments | 15 lbs. | 27 lbs. |

All dimensions and weights are approximate. If critical request certified drawings