

# Figures 939, 939F Short Body Sewage/Wastewater Air Vacuum Valve

## Description

GA Industries Figure 939 Air & Vacuum Valves efficiently vent air and sewage gas from sewage forcemains as they are being filled and then close tight once the system is full and pressurized. They automatically open to admit air to limit vacuum formation when the forcemain is drained and/or a negative pressure occurs in the valve.

Figure 939 Air & Vacuum Valves are typically installed at system high points where air and sewage gas naturally rise during filling and vacuum first forms during draining. Short body sewage air & vacuum valves are ideal in shallow cover installations that preclude the standard elongated body.

Figure 939F includes optional “back flushing attachments” to facilitate cleaning sludge and debris from the valve



## Product Features

- Short body ideal for “shallow cover” installations
- Full size orifice for maximum air outflow and inflow rates
- Corrosion resistant Type 316 stainless steel float and internal mechanism
- Tight sealing and easily replaceable rubber seat
- 2” NPT plugged port allows removal of large debris

## Standard Materials

- Body & Cover Cast Iron, ASTM A126 Class B
- Float Stainless Steel, Type 316
- Internal Linkage Stainless Steel, Type 316
- Replaceable Seat Buna-N
- External Fasteners Steel, A307, Zinc Plated
- Coating Internal and External NSF-61 Certified Epoxy

See Data Sheet 939SS.01 for Durovent™ all 316SS construction version

## Approvals & Certifications

- Complies with AWWA Standard C512

## Options/Accessories

- Option BA Build America/Buy America (BABA) and American Iron and Steel (AIS) Compliant
- Option CV Bronze surge check (regulated exhaust/slow closing device) factory installed in the valve outlet
- Option FA: Backflush Attachments – inlet isolating valve, ½” flushing valve, 1” blow off valve, quick connect couplings and 5 ft. rubber hose
- Option IV Inlet Isolating Valve – lever operated bronze ball valve (Inlet isolating valve included with backflush attachments).
- Option SE 316 stainless steel external fasteners
- Option US American Iron and Steel (AIS) Compliant

## Ordering Data

- Figure Number (939, 939F)
- Size (Inlet x Outlet)
- Options/Accessories

Non-Shock Working Water Pressure at up to 150F (66C)						
Figure Numbers	939 Valve Only			939F Valve and Backflush Attachments		
Inlet Size	2" NPT	2" NPT	3" NPT	2" NPT	2" NPT	3" NPT
Outlet Size	1" NPT	2" NPT	2" NPT	1" NPT	2" NPT	2" NPT
Working Pressure	10-200 PSI			10-200 PSI		
Pressure Rating	200 PSI			200 PSI		
Hydro Test	300 PSI			300 PSI		

Data Sheet 939.01F

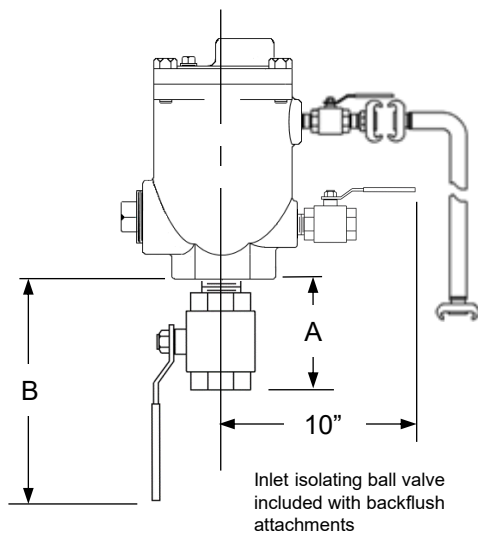
Pressure at Valve Inlet	Air Outflow Rate Standard Cubic Feet/Min (SCFM)		
	2" x 1"	2" x 2"	3" x 2"
1 PSI	78	279	279
2 PSI	114	407	407
3 PSI	144	513	513
4 PSI	171	609	609
5 PSI	196	699	699

Value is rate at which air is vented from pipeline/system during filling at valve inlet pressures shown. Inlet pressure during filling should not exceed 2 PSI. Size is inlet x outlet.

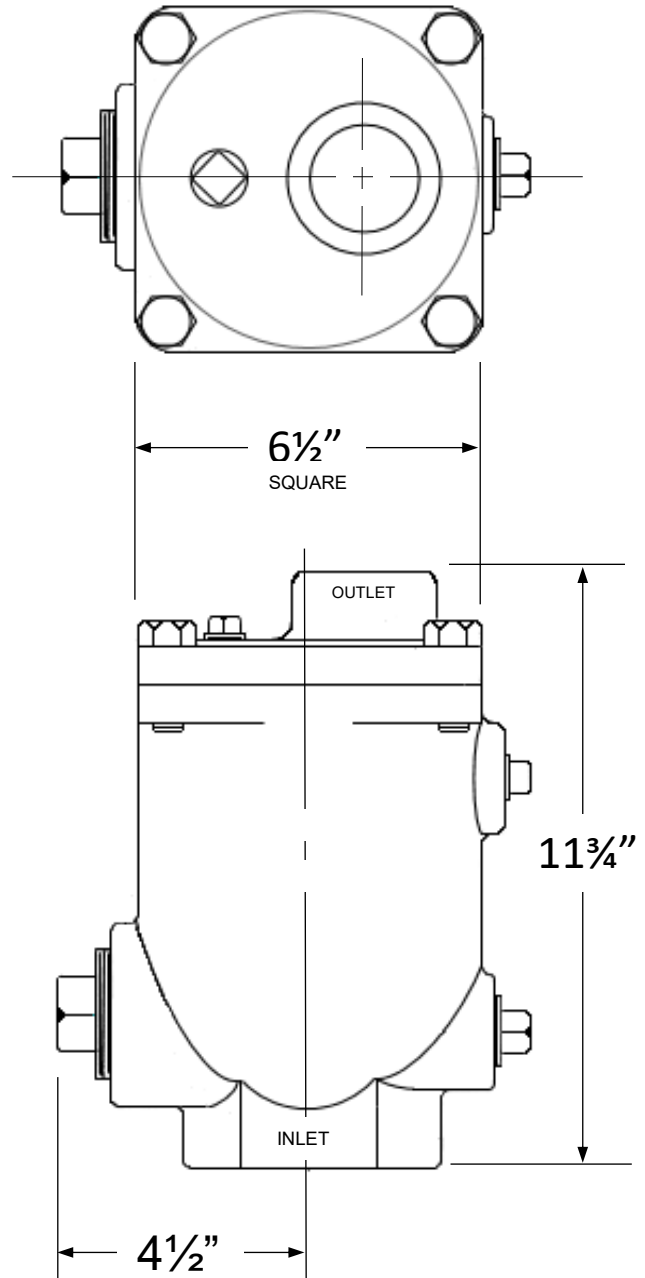
Pressure at Valve Inlet	Air Inflow Rate Standard Cubic Feet/Min (SCFM)		
	2" x 1"	2" x 2"	3" x 2"
-1 PSIG	79	318	318
-2 PSIG	112	451	451
-3 PSIG	138	552	552
-4 PSIG	159	637	637
-5 PSIG	178	713	713

Value is rate at which air is drawn into the valve at negative pipeline/system pressure shown. Size is inlet x outlet.

With INLET ISOLATING VALVE or BACKFLUSH ATTACHMENTS



All dimensions and weights are approximate. If critical request certified drawings



INLET CONNECTION SIZE	2"	3"
A	5"	8"
B	8"	13"
Valve Weight	40 lb.	40 lb.
Add for Inlet Isolating Ball Valve	2 lbs.	20 lbs.
Add for Backflush Attachments	15 lbs.	27 lbs.