

Figures 942-D, 942-DF Single Body Sewage Combination Air Valve

Description

GA Industries Figure 942-D Combination Air Valves employ a large and small orifice in a single body to efficiently vent air and gas from sewage forcemains. Air is vented through the large orifice as the system is filled and then it closes tight once the system is full and pressurized. Residual air and gas is released through the small orifice while the system is in operation. The large orifice automatically opens to admit air when the forcemain is drained and/or a negative pressure occurs in the valve.

Figure 942-D are typically installed at system high points where air and sewage gas naturally rise during filling, collect during operation and vacuum first forms during draining. The elongated body is designed to maintain an air gap between the solids bearing fluid and the valve's internal mechanism to minimize fouling and spillage.

Figure 942-DF includes optional "back flushing attachments" to facilitate cleaning sludge and debris from the valve

Product Features

- Full size large orifice for maximum air outflow and inflow rates
- Corrosion resistant Type 316 stainless steel float, plug, seat ring and internal mechanism
- Elongated body reduces potential for fouling
- Tight sealing and easily replaceable rubber seat
- 2" NPT plugged side port allows removal of large debris

Standard Materials

- Body & Cover Cast Iron, ASTM A126 Class B
- Float Stainless Steel, Type 316
- Internal Linkage Stainless Steel, Type 316
- Replaceable Seat Buna-N
- External Fasteners Steel, A307, Zinc Plated
- Coating Internal and External NSF-61/600 Certified Epoxy

Data Sheet 942.02G



Approvals & Certifications

- Complies with AWWA Standard C512

Options/Accessories

- Option FA: Backflush Attachments – inlet isolating valve, 1/2" flushing valve, 1" blow off valve, quick connect couplings and 5 ft. rubber hose
- Option IV Inlet Isolating Valve – lever operated bronze ball valve (3" NPT and smaller inlet valves) Note: inlet valve included with backflush attachments.
- Option SE 316 stainless steel external fasteners

Ordering Data

- Figure Number (942-D, 942-DF)
- Size (Inlet x Outlet)
- Options/Accessories

Non-Shock Working Water Pressure at up to 150F (66C)				
	Valve Only		Valve and Backflush Attachments	
Figure Numbers	942-D		942-DF	
Inlet Size	4" Class 125	6" Class 125	4" Class 125	6" Class 125
Outlet Size	4" NPT	6" NPT	4" NPT	6" NPT
Working Pressure	10-150 PSI		10-150 PSI	
Pressure Rating	200 PSI		200 PSI	
Hydro Test	300 PSI		300 PSI	

Data Sheet 942.02G

Air Vacuum Orifice

Pressure at Valve Inlet	Air OUTFLOW Rate, Standard Cubic Feet/Min (SCFM)	
	4"	6"
1 PSI	1208	2436
2 PSI	1762	3554
3 PSI	2222	4481
4 PSI	2637	5318
5 PSI	3027	6103

Value is rate at which air is vented from pipeline/system during filling at valve inlet pressures shown. Inlet pressure during filling should not exceed 2 PSI.

Air Release Orifice

Pressure At Valve Inlet	Air Release Orifice Venting Rate, Standard Cubic Feet/Min (SCFM)	
	4"	6"
10 PSI	8.7	24.2
15 PSI	10.6	29.5
25 PSI	14.1	39.2
50 PSI	23.1	64.2
75 PSI	32.0	89.0
100 PSI	40.9	114.0
150 PSI	58.7	163.0

Air Vacuum Orifice

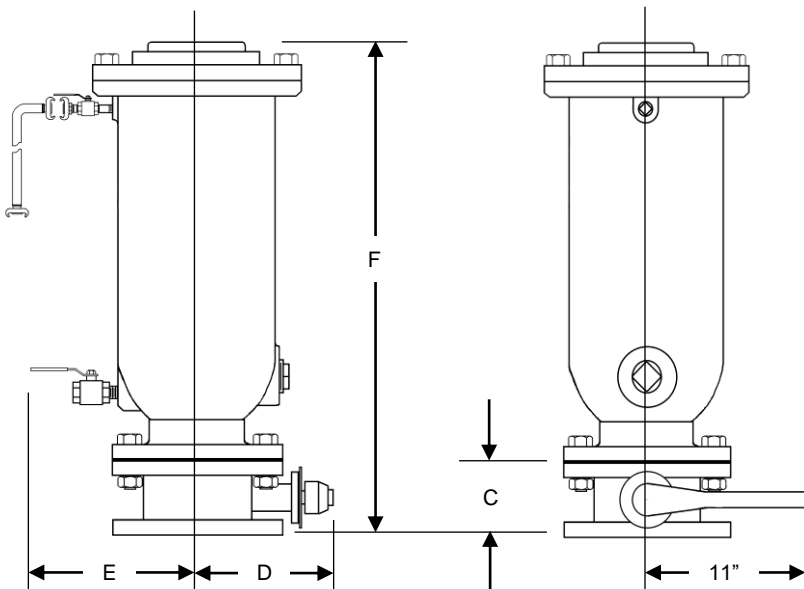
Pressure at Valve Inlet	Air INFLOW Rate, Standard Cubic Feet/Min (SCFM)	
	4"	6"
-1 PSIG	1275	2870
-2 PSIG	1804	4060
-3 PSIG	2210	4972
-4 PSIG	2551	5741
-5 PSIG	2853	6419

Value is rate at which air is drawn into the valve at negative pipeline/system pressure shown.

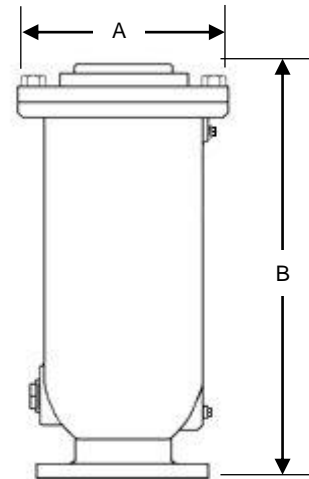
Installation Dimensions

SIZE	4"	6"
A (Square)	9½"	13½"
B	25½"	29"
C	5"	5"
D	7¾"	9⅝"
E	11½"	14¼"
F	30½"	34"
Valve Weight	190 lb.	320 lbs.
Add for Inlet Isolating Valve Only	45 lbs.	70 lbs.
Add for Backflush Attachments	85 lbs.	110 lbs.

With INLET ISOLATING VALVE or BACKFLUSH ATTACHMENTS



VALVE ONLY



Inlet isolating butterfly valve included with backflush attachments