

Figure B517R8 Standard Port Mechanical Joint (MJ) Eccentric Plug Valves For Buried Service

Description

The GA Industries Figure B517R8 Eccentric Plug Valve is a rugged, field-proven valve that will provide many decades of trouble-free service. The standard port valve has a minimum port area of at least 80% of the inside area of the adjacent pipe for low head loss.

The Figure 517R8 Eccentric Plug Valve has upper and lower thrust bearings, grit seals and all surfaces of the plug exposed to the flow are totally encapsulated in rubber.

The MJ valve is standard with a sealed and grease packed buried service manual worm gear and a 2" square nut. Automatic actuation with floor stand or extended bonnet are available.

Standard Features

- Internal and external epoxy coated, high strength ductile iron body and cover
- Minimum 80% port area, highly flow efficient
- Bi-directional zero leakage seating
- Fully rubber encapsulated ductile iron plug
- Shaft packing protected from ground contamination
- 316SS upper and lower shaft bearings
- Lifting eyes and feet to facilitate handling and installation

Standard Materials

- Body and Cover Ductile Iron, ASTM A536 Gr 65-45-12
- Body Seat Weld Overlaid 95% Pure Nickel
- Plug Ductile Iron, ASTM A536 Gr 65-45-12
- Plug Coating Buna-N Rubber, Molded and Vulcanized to the Plug
- Shaft Bearings 316 Stainless Steel
- Thrust Bearings Aluminum Bronze
- External Fasteners 316 Stainless Steel
-

Corrosion Protection

- Standard: Internal and External PPG/Amerlok 400 2-Part Epoxy

Ordering Data

- Figure Number B517R8
- Size
- Connections (MJ)
- Actuation (Standard is 2" Operating Nut)
- Options/Accessories

Data Sheet B517R8.02A

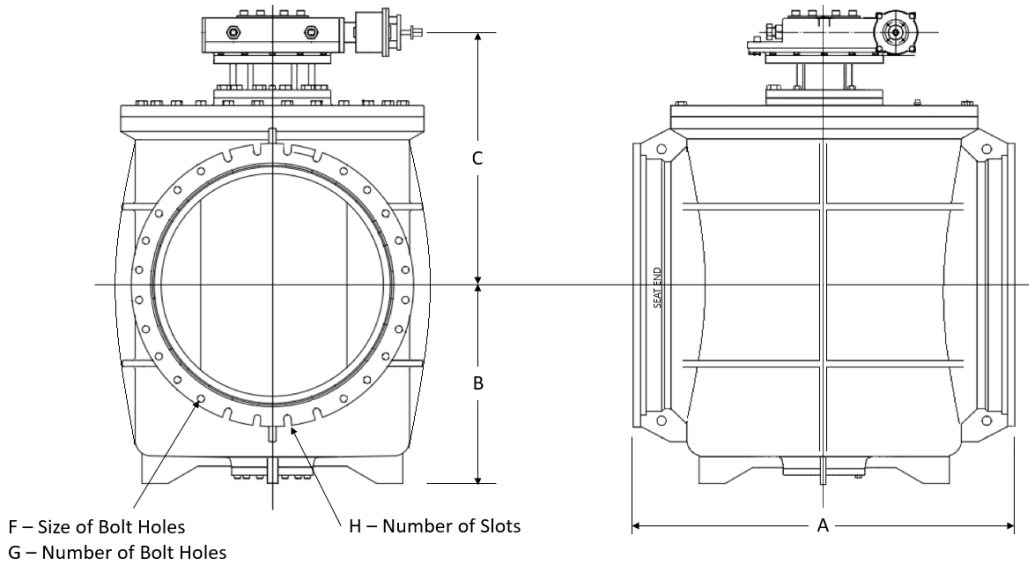


Approvals & Certifications

- Fully complies with AWWA Standard C517

Non-Shock Working Water Pressure at up to 180F (82C)	
Figure Number	B517R8
Connections	Mechanical Joint (MJ) per AWWA/ANSI C111
Manual Operation	Buried Service Worm Gear with 2" Nut
Size	24" to 48"
Direct Seating Max Pressure	150 PSI
Reverse Seating Max Pressure	24" – 150 PSI, 30" to 48" – 100 PSI
Hydro Test	225 PSI

Data Sheet B517R8-02A



Installation Dimensions

SIZE	24"	30"	36"	42"	48"
A	42	51	60	72	84
B	19.7	22.7	26.6	30.7	37.4
C	25.4	29.5	35.6	41.0	49.9
F	7/8	1 1/8	1 1/8	1 3/8	1 3/8
G	16	12	15	20	24
H	--	8	8	8	8
WGT	1,920	3,720	5,875	9,500	15,450

Flow Coefficients

SIZE	24"	30"	36"	42"	48"
C_v	28,000	45,000	65,000	95,000	110,000
K	0.38	0.36	0.35	0.31	0.39

- Dimensions C and D represent standard worm gear actuator
- Worm gear actuator can be rotated in 90-degree increments about valve centerline
- Valve supplied with 2" operating nut on worm gear actuator
- Consult factory for valves with automatic actuators
- Dimensions in inches and weight in pounds and are approximate. Request certified drawings if critical.

