

Figure B517R8 Standard Port Class 125 Flanged Eccentric Plug Valves For In-Plant/Exposed Service

Description

The GA Industries Figure B517R8 Eccentric Plug Valve is a rugged, field-proven valve that will provide many decades of trouble-free service. The valve has a standard port area of at least 80% of the inside area of the adjacent pipe for low head loss.

The Figure B517R8 Eccentric Plug Valve has upper and lower thrust bearings, grit seals and all surfaces of the plug exposed to the flow are totally encapsulated in rubber.

The valve can be supplied with a manual worm gear with visual position indicator and handwheel or an optional chainwheel or 2" square nut. Automatic actuation is also available.

Standard Features

- Internal and external epoxy coated, high strength ductile iron body and cover
- Minimum 80% port area for low headloss
- Bi-directional zero leakage
- Fully rubber encapsulated ductile iron plug
- Shaft packing adjustable and replaceable without removing the actuator
- 316SS upper and lower shaft bearings
- Top and bottom lifting eyes and feet to facilitate handling and installation

Standard Materials

- Body and Cover Ductile Iron, ASTM A536 Gr 65-45-12
- Body Seat Weld Overlaid 95% Pure Nickel
- Plug Ductile Iron, ASTM A536 Gr 65-45-12
- Plug Coating Buna-N Rubber, Molded and Vulcanized to the Plug
- Shaft Bearings 316 Stainless Steel
- Thrust Bearings Aluminum Bronze
- External Fasteners 316 Stainless Steel

Corrosion Protection

- Standard: Internal and External PPG/Amerlok 400 2-Part Epoxy

Ordering Data

- Figure Number B517R8
- Size
- Connections (Class 125 Flanged)
- Handwheel or 2" Operating Nut
- Options/Accessories

Data Sheet B517R8.01A



Approvals & Certifications

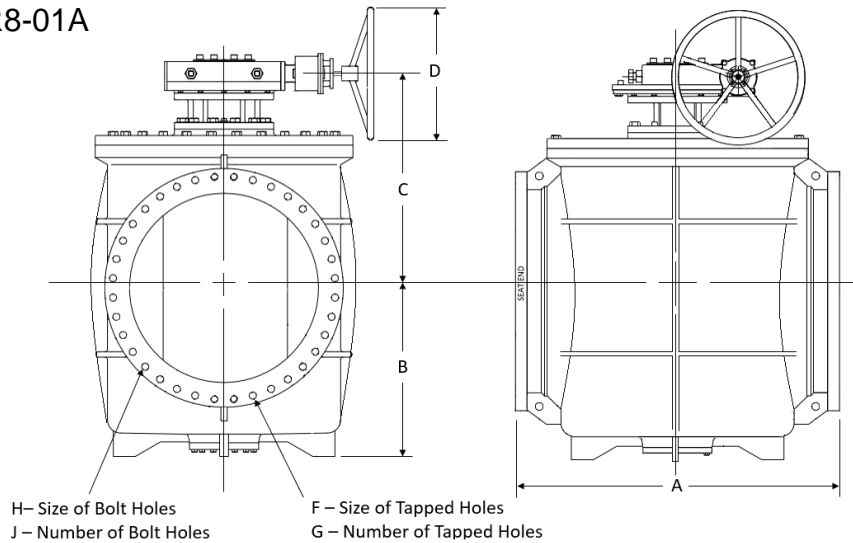
- Fully complies with AWWA Standard C517

Options and Accessories

- Option CW Chainwheel in lieu of Handwheel, Facilitates Operation of Overhead Worm Gear Operated Valve
- Option WS 2" Square Nut in lieu of Handwheel

Non-Shock Working Water Pressure at up to 180F (82C)	
Figure Number	B517R8
Connections	Class 125 Flanged
Manual Operation	Worm Gear with Handwheel Worm Gear with 2" Nut
Size	24" to 54"
Direct Seating Max Pressure	150 PSI
Reverse Seating Max Pressure	24" – 150 PSI, 30" to 54" – 100 PSI
Hydro Test	225 PSI

Data Sheet B517R8-01A



Installation Dimensions

SIZE	24"	30"	36"	42"	48"	54"
A	42	51	60	72	84	96
B	19.7	22.7	26.6	30.7	37.4	42.3
C	25.4	29.5	34.3	39.9	50.0	54.7
D (Dia)	24	24	28	32	36	32
F	N/A	1½"-7UNC	1½"-6UNC	1½"-6UNC	1½"-6UNC	1½"-5UNC
G	N/A	8	8	4	4	4
H	1⅜	1⅜	1⅜	1⅜	1⅜	2
J	20	20	24	32	40	40
WGT	2,010	3,875	6,130	9,815	15,865	23,370

Flow Coefficients

SIZE	24"	30"	36"	42"	48"	54"
C _v	28,000	45,000	65,000	95,000	110,000	135,000
K	0.38	0.36	0.35	0.31	0.39	0.42

- Dimensions C and D represent standard worm gear actuator
- Worm gear actuator can be rotated in 90-degree increments about valve centerline
- Valve can be supplied with 2" operating nut instead of handwheel
- Consult factory for valves with automatic actuators
- Dimensions in inches and weight in pounds and are approximate. Request certified drawings if critical.

