

Figure SB200-D Slaminator® Spring Assisted Rubber Flapper Check Valve

Description

GA Industries Figure SB200-D Slaminator® Rubber Flapper Check Valves have all the features of the GA Industries standard rubber flapper check valve plus an internal spring to accelerate the valve's flexible disc in rapid flow reversal systems.

The valve is suitable for horizontal or vertical flow up installation and the specially designed stainless steel internal spring is completely out of the flow path to minimize any potential for collecting solids.

The Figure SB200-D can be easily fitted with backflow device and/or a visual position indicator with or without an electrical position switch.

Product Features

- 250 PSI rated epoxy coated ductile iron body and cover
- Tight sealing at low and high pressure
- Flexible disc successfully passed 1 million cycle test
- Stainless steel internal spring, field adjustable and replaceable
- Stainless steel cover fasteners standard
- Available with backflow device and/or position indicator
- Optional electrical position switch

Standard Materials

- Body & Cover Ductile Iron, ASTM A536 Grade 65-45-12
- Flexible Disc Buna-N, Nylon and Steel Reinforced
- Internal Spring Type 302 Stainless Steel
- External Fasteners Type 316 Stainless Steel

Corrosion Protection

- Standard: Internal and External PPG/Amerlok 400 NSF-61 Certified 2-Part Epoxy, minimum 6 mil DFT

Data Sheet SB200.01B



Approvals & Certifications

- Conforms with materials and testing requirements of AWWA Standard C508

Options/Accessories

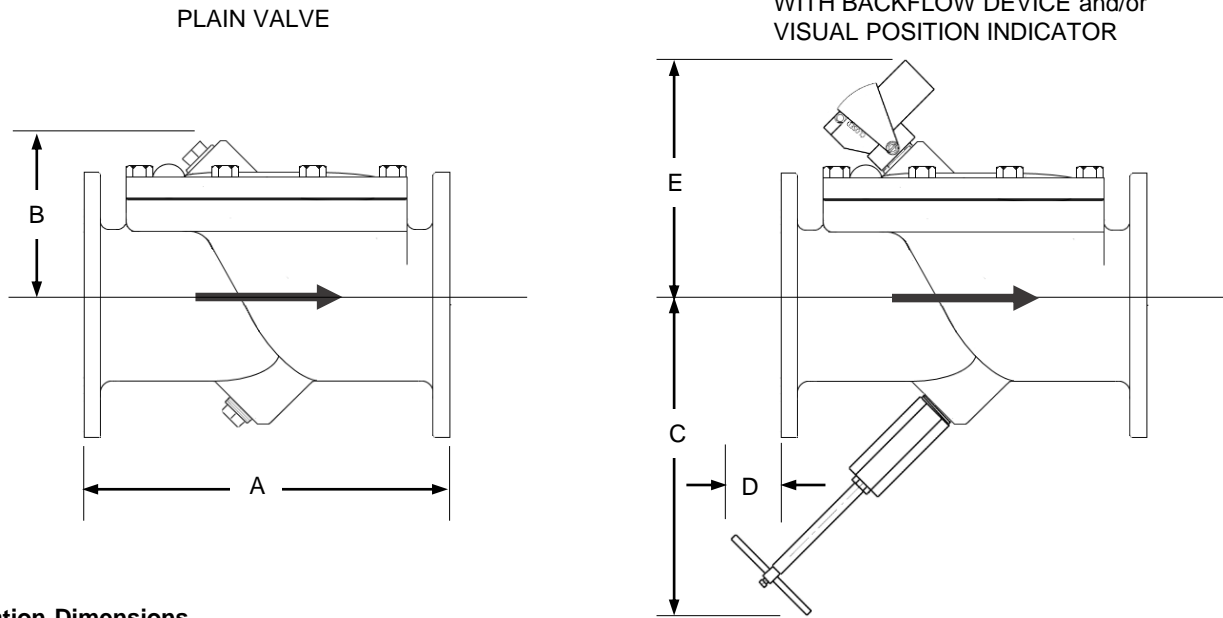
- Option 1S With Honeywell Micro Switch NEMA 1, 2, 4, 6, 12 & 13 SPDT Limit Switch (Requires Visual Position Indicator)

Ordering Data

- Figure Number (SB200-D, SB200-DBF, SB200-DPI or SB200-DBFPI)
- Size
- Options and/or Accessories

| Non-Shock Working Water Pressure at up to 150F (66C) | | | | |
|--|----------------------|----------------------|--------------------------------|--|
| Figure Number | SB200-D | SB200-DBF | SB200-DPI | SB200-DBFPI |
| Style | Plain | With Backflow Device | With Visual Position Indicator | With Backflow Device and Visual Position Indicator |
| Size | 2" to 24" | 2" to 24" | 4" to 24" | 4" to 24" |
| Flange | ANSI B16.1 Class 125 | | | |
| Max Working Pressure | 250 PSI | | | |
| Hydro Test | 500 PSI | | | |

Data Sheet SB200.01B



Installation Dimensions

| SIZE | 2" | 2½" | 3" | 4" | 6" | 8" | 10" | 12" | 14" | 16" | 18" | 20" | 24" |
|------|----|-----|----|-----|-----|------|------|------|------|------|------|------|------|
| A | 8 | 8½ | 9½ | 11½ | 15 | 19½ | 24½ | 27½ | 31 | 32 | 36 | 40 | 48 |
| B | 3⅝ | 3⅝ | 5⅝ | 5¾ | 6⅝ | 8⅝ | 10¾ | 12½ | 13 | 14¼ | 15¼ | 16⅝ | 19¼ |
| C | 7 | 7 | 8 | 8 | 13 | 17 | 20 | 23 | 27 | 31 | 34 | 38 | 45 |
| D | 0 | 0 | 0 | 2 | 2 | 3 | 4 | 4 | 4 | 5 | 6 | 6 | 7 |
| E | -- | -- | -- | 8¾" | 9⅞" | 11⅝" | 13½" | 15¼" | 15¾" | 16¾" | 17¾" | 19⅝" | 21¼" |
| WGT | 28 | 33 | 38 | 69 | 125 | 230 | 377 | 615 | 735 | 1040 | 1550 | 1850 | 2500 |

Dimensions in inches, weight in pounds. Dimensions C and D are with backflow device fully retracted.

