

Figures R201-D, R201-U, R201-V AWWA Ball Valve For Pump Control

Description

The GA Industries R201-D, R201-U and R201-V are resilient seated quarter-turn, full ported AWWA C507 ball valves specifically designed for pump control service. The valves control surges during pump start and shutdown as well as provide virtually zero head loss while pumping for long term low cost of ownership.

The R201's one piece, top entry design means the valve can be completely serviced while the body remains bolted in line. Further, it's side access port allows the resilient seat to be inspected, adjusted or replaced without valve disassembly or removal of adjacent piping.

Cylinder operated valves can use water, oil or air pressure and are furnished with normal and emergency solenoid pilots, speed controls and limit switch. The valves can also be actuated with an electric motor operator but require other provisions to deal with power failure closure.

Product Features

- Fully conforms to AWWA C507
- One-piece, top entry iron body with 316SS body seat
- Virtually zero head loss when fully open
- UHMWPE "floating" ball seat on pump side, no seat contact during normal opening/closing
- Ultra-drive torque unit provides characterized opening and closing for excellent surge control
- Side access port allows easy inspection, adjustment or replacement of resilient seat
- Cylinder or electric motor actuation

Standard Materials

- Body, Cover
 - Class 150 Cast Iron, ASTM A126 Class B
 - Class 250/300 Ductile Iron, ASTM A536 Gr 65-45-12
- Body Seat Type 316 Stainless Steel
- Ball (Rotor) Ductile Iron, ASTM A536 Gr 65-45-12
- Ball Seat Ultra High Molecular Weight Polyethylene
- Valve Shaft Stainless Steel
- Shaft Bearings Lead-free Bronze
- External Fasteners Steel, A307, Zinc Plated

Corrosion Protection

- Standard: Internal and External Carboline 891 NSF-61 Certified Epoxy, min 6 mil DFT

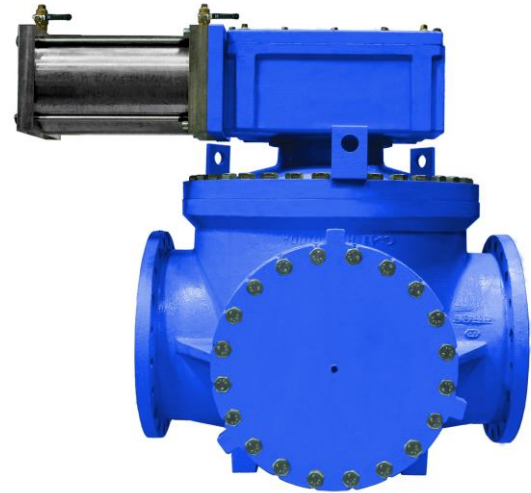
Options/Accessories

- With Water Cylinder Operator
- With Oil Cylinder Operator
- With Air/Oil Cylinder Operator
- With Electric Motor Operator
- With Pump Director Pre-wired Control Panel

Ordering Data

- Figure Number (R201-D, R201-U, R201-V)
- Size
- Installation Orientation (location of side access port)
- Options and/or Accessories

Data Sheet 201.01B



Non-Shock Working Water Pressure Up to 125F (52C)			
Figure Number	R201-D	R201-U	
AWWA C507	Class 150	Class 250	Class 300
Flanges	ANSI B16.1 Class 125	ANSI B16.1 Class 250	
Size	6" – 36"	6" – 36"	6" – 36"
Max Inlet	150 PSI	250 PSI	300 PSI
Hydro Test	225 PSI	375 PSI	450 PSI

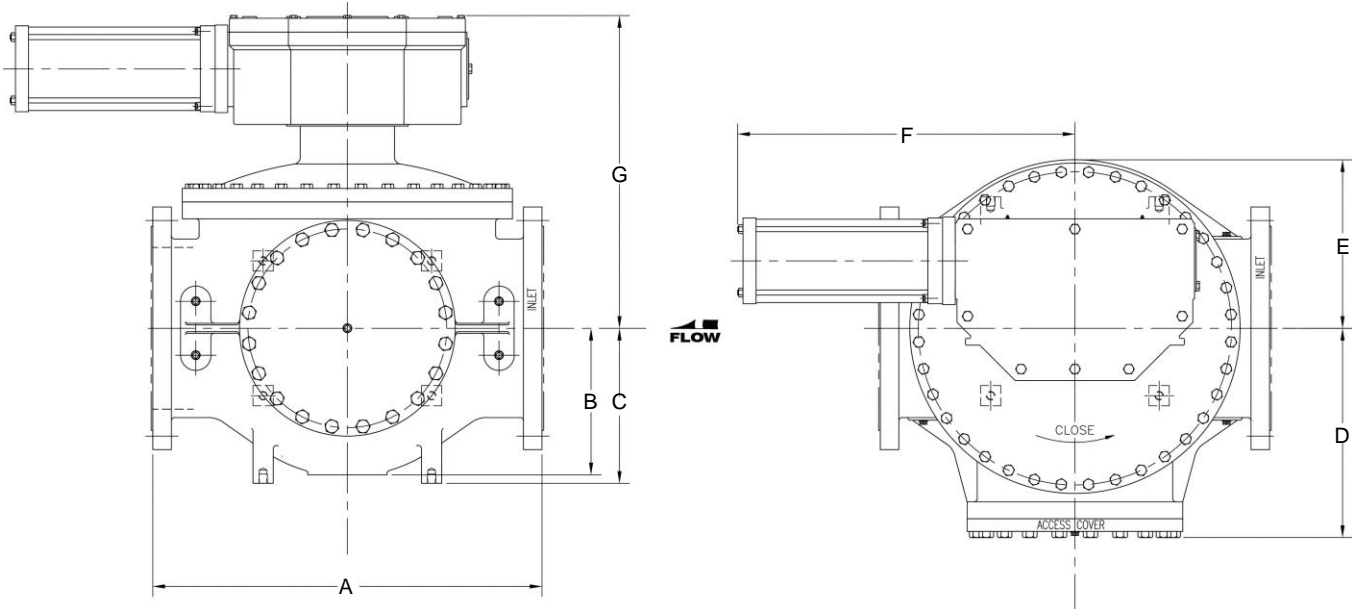
Optional Model 7700A Pump Director



The operation of the GA Industries AWWA Ball Valve for pump control and the pump motor must be sequenced for proper surge control. The optional VAG/GA Industries Model 7700A is a user friendly and SCADA compatible PLC based control panel that interfaces between the Motor Control Center and the pump control valve to provide the necessary electrical logic.

See Data Sheet 7700A.01 for more information.

Data Sheet 201.01B



Class		6"	8"	10"	12"	14"	16"	18"	20"	24"	30"	36"
A	CL150	20	23½	28⅞	31	37	39	43¼	47	56	70	78
	CL250	20	23½	28⅞	32½	37	41	43¼	49	57¾	70	78
	CL300	20	23½	28⅞	32½	37	41	43¼	49	57¾	70	78
B		6½½	7¾	9	10¾	12⅞	12½	15	16	23	23	26¾
C		6½	8¼	9⅝	10⅞	13	15	16½	18	21¼	27¼	29
D		10	12½	15	15½	18½	22	23	26½	31¼	40½	41½
E		7	9¼	10½	13	15	16¼	20	21	25	30	35
F (Note 3)		41	41	41	41	43	43	43	43	50	50	50
G		23	24	25	26	35	37	40	41	49	55	57
WGT	CL150	1,100	1,300	1,600	2,200	3,000	4,200	4,500	5,500	9,600	16,000	24,000
	CL250	1,150	1,355	1,700	2,300	3,150	4,400	4,850	5,870	10,200	16,750	24,900
	CL300	1,150	1,355	1,700	2,300	3,150	4,400	4,850	5,870	10,200	16,750	24,900

1. Dimensions in inches, weight in pounds and are approximate. Request certified drawings if critical.
2. Class 250 and 300 flanges supplied flat face unless otherwise specified. Dimension A does not include raised face.
3. Dimensions F may differ from the dimensions shown based on the application.
4. Actuator can be rotated in 90 degree increments about the valve centerline.
5. Water or oil cylinder operated valve depicted. Consult factory for information on pneumatic, air/oil cylinder or electric motor actuated valves