

Figures 624-D, 625-D, 626-D Sewage/Wastewater Surge Relief Valves

Data Sheet SSRV.01D

Description

GA Industries Figures 624-D, 625-D and 626-D direct acting, spring loaded surge relief valves protect sewage and wastewater systems from excessively high pressure due to a sudden stoppage of pumping or valve closure.

The valve is closed when the pressure at its inlet is below the spring setting but immediately opens if the pressure rises to the setting. The valve only opens as far as needed to discharge fluid out of the system at the rate necessary to prevent an excessive rise in pressure. It closes slowly and seals tightly when pressure decreases below the pilot setting.

The valve's streamlined, flow efficient, non-clogging long radius elbow or wye body provides dependable surge protection even when handling solids-laden fluids such as raw sewage.

Product Features

- Heavy duty, flow efficient long radius elbow or wye body
- Tough 316 stainless steel replaceable body seat
- Durable and replaceable resilient disc seat for tight shutoff
- Compression spring(s) enclosed in chambers, safer than exposed tension springs
- Self-contained hydraulic closing speed control

Standard Materials

- Body & Cover Cast Iron, ASTM A126 Class B
- Body Seat Type 316 Stainless Steel
- Disc Ductile Iron, ASTM A536 Gr 65-45-12
- Disc Seat Thiokol Composition or UHMWPE
- Shaft Stainless Steel
- External Fasteners Steel, A307, Zinc Plated
- Spring(s) Alloy Spring Steel, Painted

Corrosion Protection

- Standard: Internal and External Carboline 891 NSF-61 Certified Epoxy, min 6 mil DFT
- Option P2 316 Stainless Steel External Fasteners

Options

- Option HP High Pressure Spring (See Chart)
- Option 1S With Honeywell HDLS NEMA 1, 3, 4, 4X, 6, 6P, 12 & 13 SPDT Limit Switch

Ordering Data

- Figure Number (624-D, 625-D, 626-D)
- Size
- Installation Orientation (Figure 624 and 625 Only)
- Options and/or Accessories
- Relief Pressure Setting



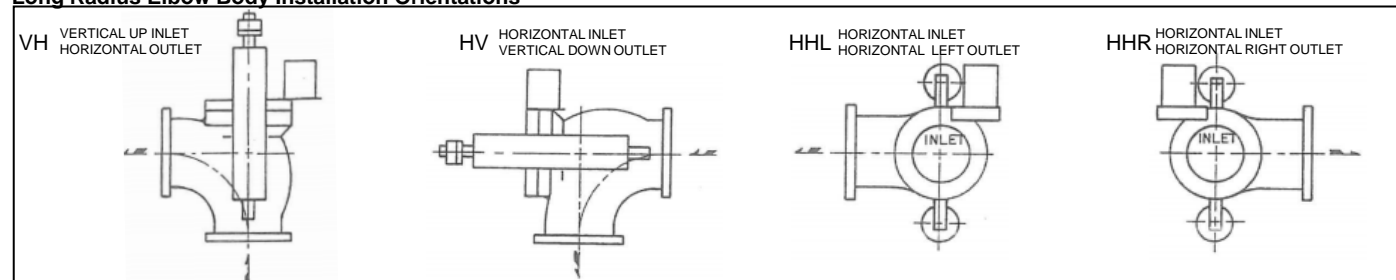
Figure 625-D Shown

Figure Number and Size Range			
Figure Number	625-D	624-D	626-D
Body Type	Long Radius Elbow	Long Radius Elbow	Wye
Flange Connection	ANSI B16.1 Class 125	ANSI B16.1 Class 125	ANSI B16.1 Class 125
Size Range	2" to 8"	10" to 16"	2" to 16"

Maximum Relief Set Pressure, PSI						
Size	2" – 6"	8"	10"	12"	14"	16"
Standard Maximum	175	140	125	90	65	50
Optional High-Pressure Maximum	--	175	175	160	100	90

Relief valve typically set at 10% above highest normal pressure at valve inlet

Long Radius Elbow Body Installation Orientations



Data Sheet SSRV.01D

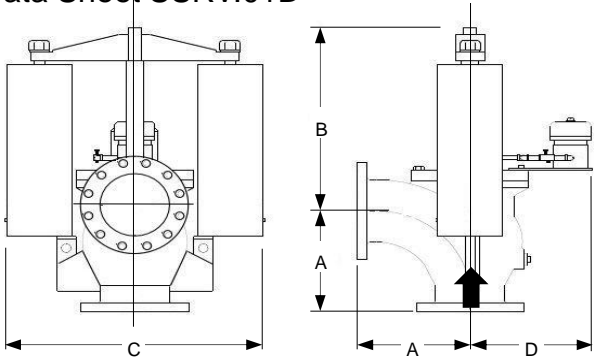


Figure 625 Long Radius Elbow Body

SIZE	A	B	C	D	WEIGHT
2"	7¾	16½	14	8	250
3"	7¾	16½	14	8	250
4"	9	23	20	10	375
6"	11½	24½	26	9	405
8"	14	26	28	10	500

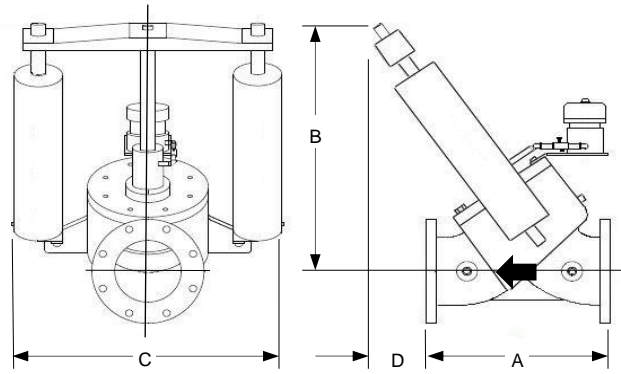


Figure 626 Wye Body

SIZE	A	B	C	D	WEIGHT
2"	12	17¾	13½	4½	250
3"	12	17¾	13½	4½	250
4"	13	23	16	6¾	375
6"	18	26½	26½	5¾	405
8"	24½	35	32½	2	500

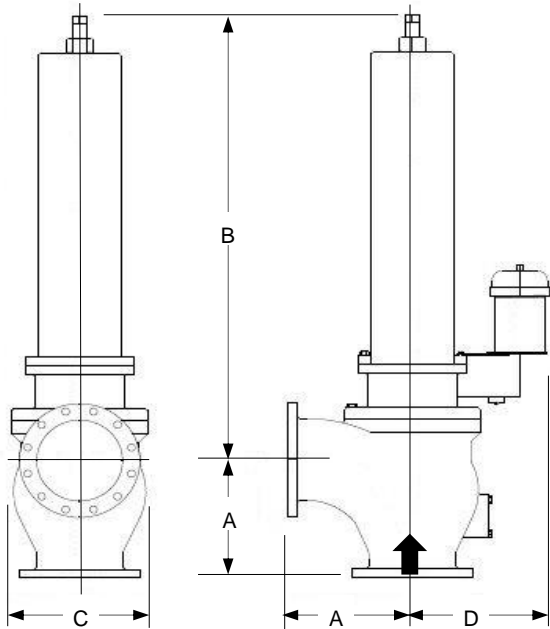


Figure 624 Long Radius Elbow Body

SIZE	A	B	C	D	WEIGHT
10"	16½	75	18	11	685
12"	19	76	19¾	13	1,170
14"	21½	87	23½	13	1,900
16"	24	87	25½	16	2,500

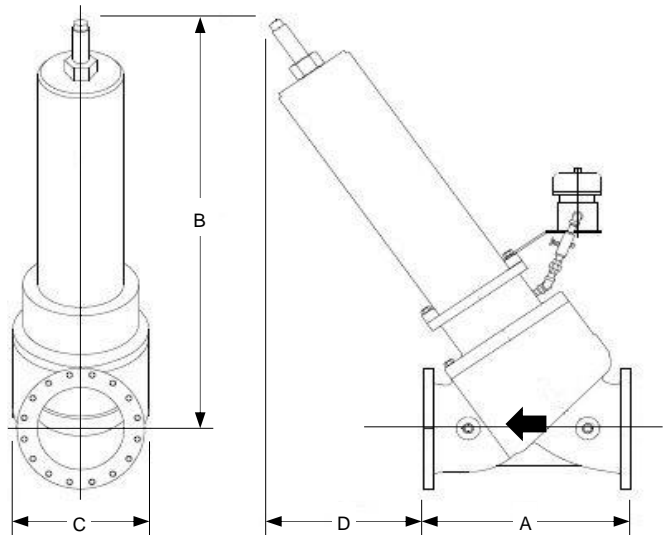


Figure 626 Wye Body

SIZE	A	B	C	D	WEIGHT
10"	26	56¾	18	20½	685
12"	31	64¾	19¾	22¾	1,170
14"	33	72¾	23½	27½	1,900
16"	36	68¾	25½	20¾	2,500

- All dimensions in inches, weights in pounds, are approximate and represent standard construction. Request certified drawings if dimensions are critical.
- Figure 624 and 625 shown in standard "VH" (vertical up inlet, horizontal outlet) installation orientation. Other orientations are available, consult factory.