

Figures 3200-D, 3200-U Altitude Valve Single Acting (One Way Flow) Type

Description

GA Industries Figure 3200-D and 3200-U Altitude Valves are self-contained, hydraulically operated, differential piston actuated valves and function without electricity. The valves are installed on the tank fill line and close when the tank is full to prevent overflow and automatically re-open to replenish the tank when the water level falls 6" to 12" below maximum.

The valve's unique V-port trim provides semi-linear flow control while opening and closing for ideal surge control plus full port capacity to minimize head loss.

GA Industries altitude valves are routinely installed on elevated tanks, ground storage tanks and standpipes and its sensitive pilot is designed to consistently and reliably close the valve at maximum water level so that the tank's entire storage capacity can be utilized.



Standard Features

- Heavy-duty cast iron body with lead-free bronze internals for long term dependable service
- V-port trim for excellent flow control plus full port capacity
- Visual position indicator
- Closing speed needle valve
- Wye strainer and pilot isolating valves
- Super sensitive pilot for accurate and repetitive water level control
- Conforms with American Water Works Association (AWWA) Standard C530
- American Iron & Steel (AIS) and Build America/Buy America (BABA) Compliant

Standard Construction

- Body Cast Iron, ASTM A126 Class B
- Cover Steel, ASTM A36
- Internal Trim Lead-free Bronze
- Renewable Seat Buna-N
- Internal Fasteners Stainless Steel
- External Fasteners Steel, A307, Zinc Plated
- Pilot System Lead Free Brass, Bronze or Copper
- Coating Internal and External NSF-61 Certified Epoxy

Options

- Option E Differential Level (Delayed Opening) - valve remains closed until tank water level falls a specific amount
- Option 1S Honeywell HDLS NEMA 1, 3, 4, 4X, 6, 6P, 12 & 13 SPDT Limit Switch
- Option G1 Inlet Pressure Gauge
- Option G2 Inlet and Outlet Pressure Gauges
- Option SE 316 Stainless Steel External Fasteners

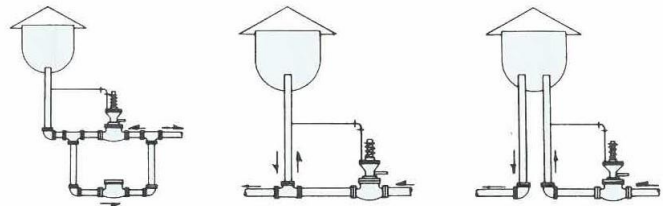
Amount of Water Discharged From Pilot Each Time Valve Opens

Size	2" - 3"	4"	6"	8"	10"	12"	14"	16"	18"-20"
US Gallons	0.08	.016	.050	1.12	2.07	3.73	6.29	10.56	16.54

Non-Shock Working Water Pressure Up to 125F (52C)			
Figure Number	3200-D (Globe Body) 3200-DA (Angle Body)	3200-U (Globe Body) 3200-UA (Angle Body)	
Flanges	ANSI B16.1 Class 125	ANSI B16.1 Class 250	
Size	2" - 12"	14" to 20"	2" to 20"
Max Inlet	200 PSI	150 PSI	300 PSI
Hydro Test	300 PSI	225 PSI	450 PSI

2" and 2½" sizes are 3" valves with flanges drilled to the smaller sizes.
24" and larger size valves available, consult factory

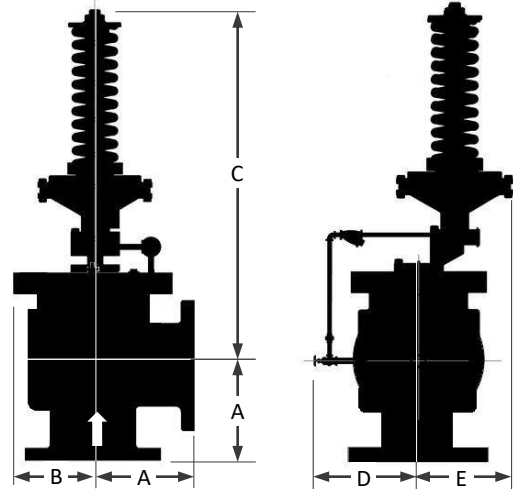
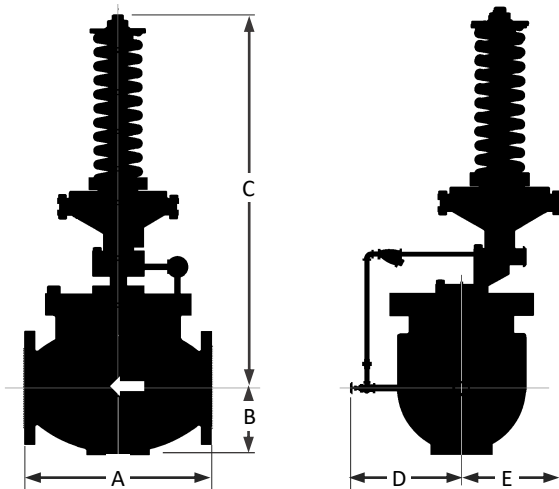
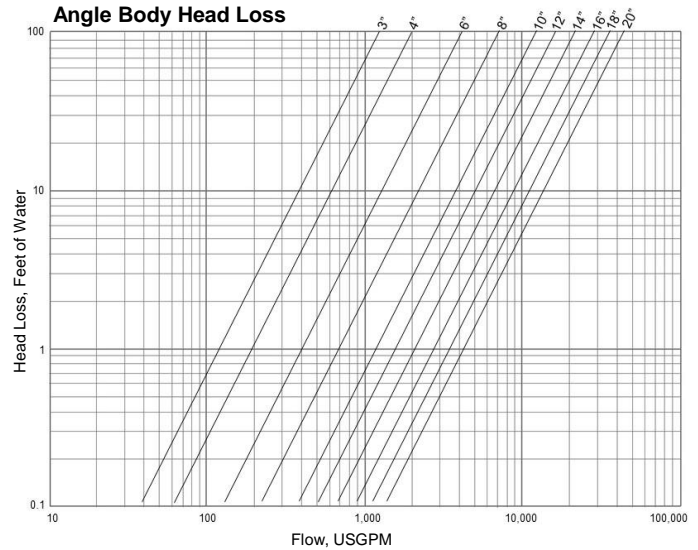
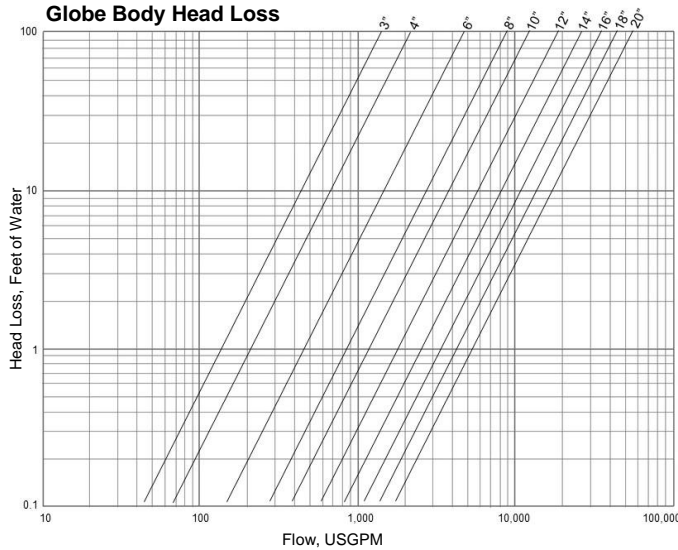
Typical Installations



Ordering Data

- Figure Number
- Size
- Options

Data Sheet 3200.01E



Globe Body Installation Dimensions

	A	B	C	D	E	WGT
2" to 3"	12	4¼	37½	15	10%	290
4"	13	5¼	37½	16	10%	420
6"	18	6½	41½	20	10%	600
8"	24½	8¼	42½	22	10¼	800
10"	26	9¾	44	24	12¼	1,175
12"	31	13	46	26	13%	1,850
14"	33	12¼	48	27	14¼	2,000
16"	36	13½	55	30	14¾	2,530
18"	40	17	56	32	18	3,700
20"	40	17	56	32	18	3,900

Angle Body Installation Dimensions

	A	B	C	D	E	WGT
2" to 3"	6	4¼	25	5	16	290
4"	6½	5	26½	5	18½	420
6"	8¾	7	29¾	6	22¾	600
8"	11¼	8½	34¼	9	29¼	800
10"	14¼	10½	43¼	11	35¼	1,175
12"	15½	12	45½	12	40½	1,850
14"	16½	14	50½	15	44½	2,000
16"	18	15¼	54	16	51	2,530
18"	20½	17½	63	18	58½	3,700
20"	20½	17½	63	18	58½	3,900

- Dimensions are in inches, weight in pounds and are approximate. Consult factory if critical.
- Angle body valves can be configured for vertical or horizontal inlet, advise orientation at time of order
- 24" and larger valves available, consult factory