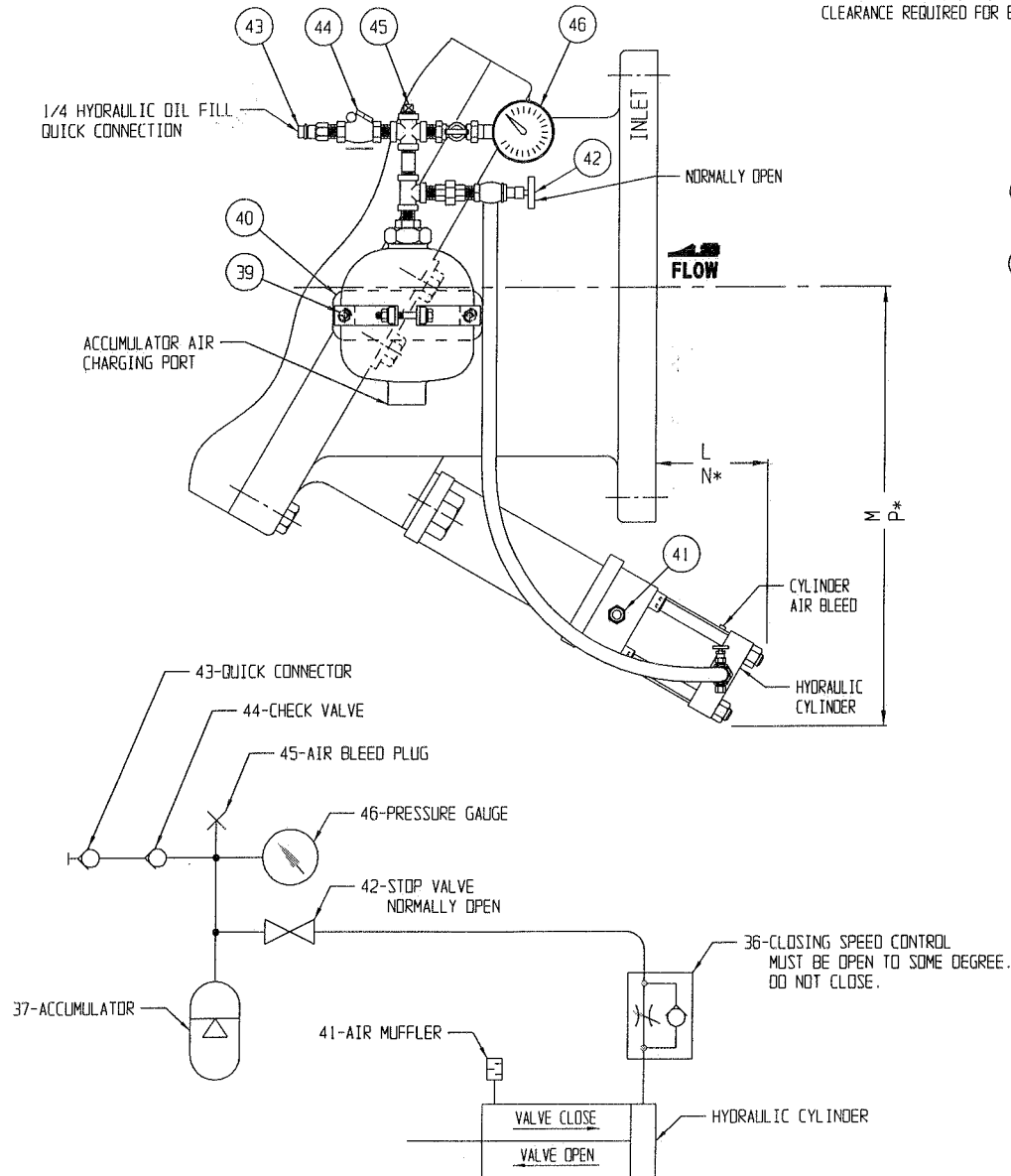


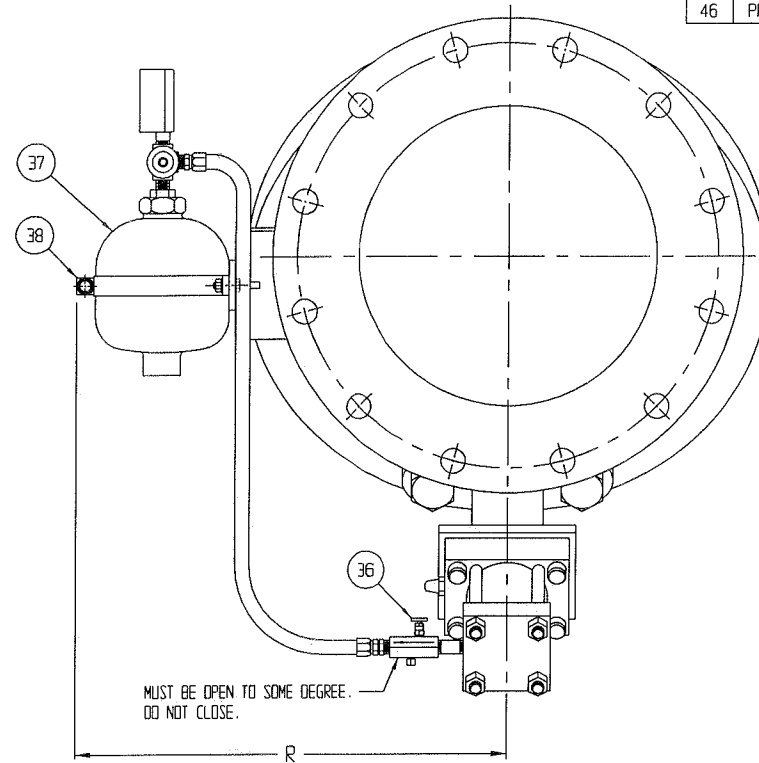
| VALVE SIZE | 6 | 8 | 10 | 12 | 14 | 16 | 18 | 20 | 24 | 30 | 36 | 42 |
|------------|---|--------|--------|--------|--------|--------|--------|--------|--------|-------|-------|--------|
| L | | 2 1/4 | 2 1/4 | 1 3/4 | ----- | 2 3/4 | 1/2 | 1/2 | ----- | ----- | ----- | ----- |
| M | | 12 5/8 | 14 3/4 | 16 1/4 | 17 | 20 3/8 | 21 | 22 1/4 | 24 3/4 | 30 | 35 | 37 1/2 |
| N* | | 6 3/8 | 8 | 7 3/4 | 4 1/2 | 10 1/4 | 8 | 8 1/2 | 6 1/2 | ----- | 7 1/2 | ----- |
| P* | | 15 1/2 | 18 1/4 | 19 7/8 | 20 1/2 | 24 3/4 | 25 1/2 | 26 1/2 | 29 1/2 | 35 | 41 | 43 |
| R | | 13 1/4 | 15 | 16 | 18 | 20 | 21 1/2 | 23 | 25 | 35 | 34 | 41 |

| ITEM | DESCRIPTION |
|------|------------------------------|
| 36 | CLOSING SPEED CONTROL |
| 37 | ACCUMULATOR |
| 38 | ACCUMULATOR MOUNTING CLAMP |
| 39 | MOUNTING CLAMP BOLTS |
| 40 | ACCUMULATOR MOUNTING BRACKET |
| 41 | AIR MUFLER |
| 42 | STOP VALVE |
| 43 | QUICK CONNECTOR |
| 44 | CHECK VALVE |
| 45 | AIR BLEED PLUG |
| 46 | PRESSURE GAUGE W/GAUGE COCK |

*NOTE:
 N AND *P* DIMENSIONS REPRESENT
 CLEARANCE REQUIRED FOR BUFFER REMOVAL.



HYDRAULIC PIPING SCHEMATIC



| REV | DESCRIPTION | DATE | BY |
|-----|-----------------------------|------------|-----|
| A | ADDED 6" & 42" VALVE SIZES. | 08-07-2001 | MJB |

| GA INDUSTRIES, INC. | | | |
|---|-------------|----------------|-------------|
| 6"-42" TILTING DISC CHECK VALVE BOTTOM MOUNTED BUFFER HYDRAULIC PIPING | | | |
| STANDARD TOLERANCES (UNLESS OTHERWISE NOTED) | SERIAL NO. | SCALE | DRAWN BY |
| FINISHED SURFACES ONLY DIMENSIONS SHOWN IN INCHES | | NONE | MJB |
| .x = .02 | REFERENCES | EFFECTIVE DATE | APPR. BY |
| .xx = .01 | | 10-13-98 | JJF |
| .xxx = .002 | | TO | |
| FRACTIONS 1/64" | FIG. NUMBER | FILE | DRAWING NO. |
| ANGLES 1° | 7125-B | TD | TD-1005 |
| FINISH Ø - XX RNS | REV. | | A |